



Coffee



Beverage



Refrigeration
Air-conditioning



Steam



Medical



Welding



Water
Management



Other-Industrial



Heating

Sanitary Water management

Latching solenoid pilot and solenoid valves



CEME

FLUID CONTROL COMPONENTS





CEME, SOLENOID PUMPS AND VALVES

Electro-pumps, solenoid valves, pressure switches, flow meters for a perfect fluid control

Established in 1974, CEME is now a landmark of reference for industrial pumps and valves production in Italy and throughout the world. Over the years, the company has diversified its product range and their applications

enriching its array of electro-pumps, solenoid valves, pressure switches, flow meters and other components to properly control the passage of any type of fluid: water, gas, steam, air.

CEME is renowned for its technical engineering know-how, quality, flexibility and for the distinctive ability to develop innovative solutions for customers on the Italian and international markets. Technology needs control.

- **LATCHING SOLENOID PILOT**

- Servo controlled for DN 11 mm
- Direct acting

- **LATCHING SOLENOID VALVE DN 5**

- Thread connection M20 x 1
- Thread connection M22 x 2

- **CARTRIDGE SOLENOID VALVE DN 7**

- **WATER SOLENOID VALVE**

CEME introduces its wide range of components dedicated to sanitary market.

These products have been designed by **CEME** with the aim of bringing innovative solutions and high quality components.

CEME has put in place its decades of experience in developing products in compliance with the most relevant norms related to the main sanitary applications, such as electronic faucets and flushing system.

NEW

LATCHING SOLENOID PILOT

for DN 11 mm W00 SERIES



Fast-on connections



Water
Management

IP65 connector



Internal filter



PRODUCT DESCRIPTION

The new CEME latching Solenoid pilot is a 2/2 way servo controlled valve for DN 11 mm.

The main application is electronically controlled, battery driven sanitary.

The hydraulic and mechanical concept has been developed considering longterm performances, durability and battery life as priority targets.

All the materials are compliant with the main regulations in drinking-water applications.

GENERAL FEATURES

Long life material

Internal filter

Low water hammer

Low power consumption

Servo controlled

100% tested with water and air

Overall dimensions according with the drawing of the model

Suitable for chemical disinfection (Chloro-mine) as well as thermal disinfection

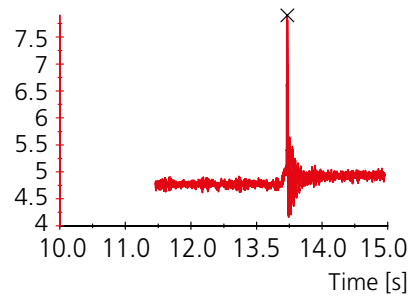
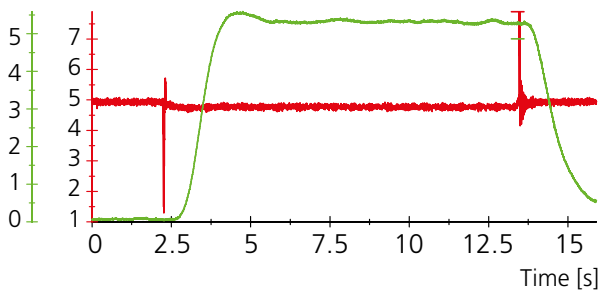
MATERIALS

Hydraulic Tube	PA66 FV30%
EPDM or LSR Seals	All the seals are in EPDM or liquid silicon rubber
Other	Stainless steel (spring and plunger)
Material approvals	FDA, DM174, ACS, NSF, WRAS
Connectors	Male / Female

WORKING CHARACTERISTICS

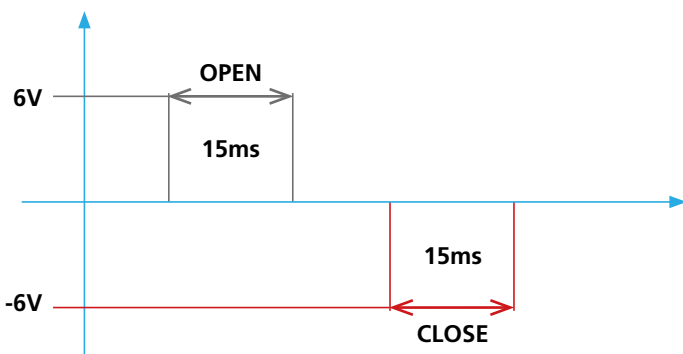
Working pressure	0.1 ÷ 10.0 bar (1,45 ÷ 145 PSI) upon request
Pressure burst	According to EN60730
Water Hammer	According to EN60730
Flow direction	Unidirectional
Valve position	Any position
Fluid	Tap water
Power Supply / Absorption / Pulse	6V - 2.25W - 375mA (impulse 15ms minimum)
Heating class	H according with EN 60 335-1
Fluid Temp	2° ÷ 85°C (35.6° ÷ 185° F)
Ambient Temp	2° ÷ 85°C (35.6° ÷ 185° F)

WATER HAMMER

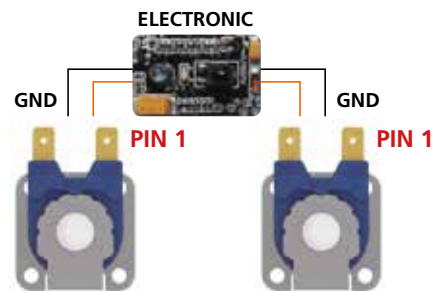


ELECTRICAL SPECIFICATIONS LATCHING

Electrical Connection	Faston (cable with connector upon request)
Nominal power	2.25W (6V)
Operating Voltage	6V (5Vmin) at 20° C
Max Voltage supply	12V
Nominal Current	375 mA (at 6V 25°C)
Pulse time	Close min 15ms / Open min 15ms



Male connector / Faston
Polarity of connector:
strand color RED Pin 1
strand color BLACK



Positive TO **PIN 1 (+)** pulse to open
GND TO **PIN 1 (-)** pulse to close

NEW

LATCHING SOLENOID PILOT



PRODUCT DESCRIPTION

The new CEME latching Solenoid pilot is a 2/2 way direct action pilot for flush system.

The main application is electronically controlled, battery driven sanitary.

The hydraulic and mechanical concept has been developed considering longterm performances, durability and battery life as priority targets.

All the materials are compliant with the main regulations in drinking-water applications.

GENERAL FEATURES

Long life material

Low power consumption

Direct action

100% tested with water and air

Overall dimensions according with the drawing of the model

Suitable for chemical disinfection (Chloramine) as well as thermal disinfection

MATERIALS

Hydraulic Tube	PA66 FV30%
EPDM or LSR Seals	All the seals are in EPDM or liquid silicon rubber
Other	Stainless steel (spring and plunger)
Material approvals	FDA, DM174, ACS, NSF, WRAS

3



Water Management



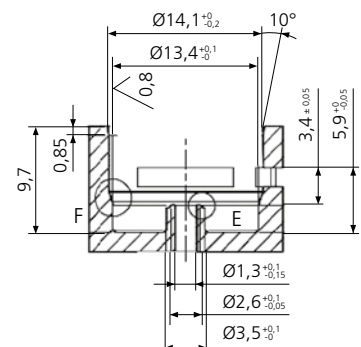
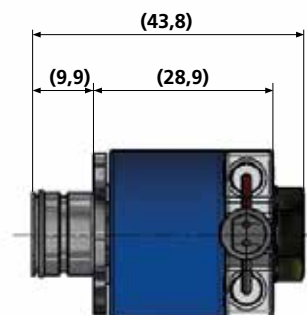
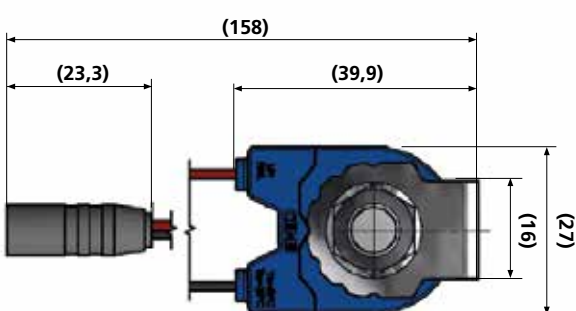
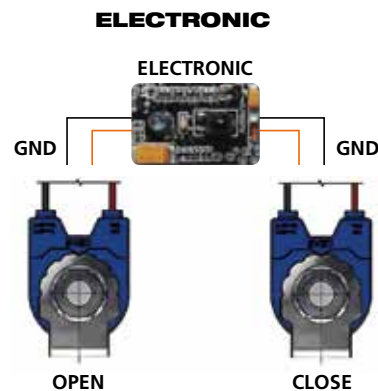
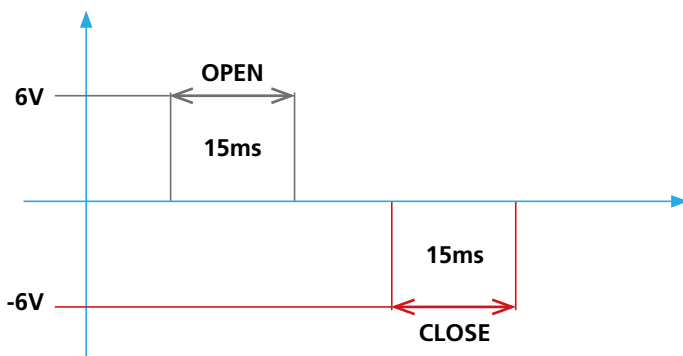
Connector male IP65

WORKING CHARACTERISTICS

Working pressure	0 ÷ 8 bar (0 ÷ 145 PSI)
Pressure burst	According to EN60730
Water Hammer	According to EN60730
Flow direction	Unidirectional
Valve position	Any position
Fluid	Tap water
Power Supply / Absorption / Pulse	6V - 3.2W - 545mA Latching solenoid (impulse 15ms minimum)
Heating class	H according with EN 60 335-1
Fluid Temp	0° ÷ 85°C (32° ÷ 185° F)
Ambient Temp	0° ÷ 85°C (32° ÷ 185° F)

ELECTRICAL SPECIFICATIONS LATCHING

Electrical Connection	cable with connector
Nominal power	3.2W (6V)
Operating Voltage	6V (5Vmin) at 20° C
Max Voltage supply	9V
Nominal Current	545 mA (at 6V 25°C)
Pulse time	Close min 15ms / Open min 15ms



LATCHING SOLENOID VALVE

DN 5 mm L100 series




PRODUCT DESCRIPTION

The new CEME latching Solenoid Valve is a 2/2 way servo controlled valve with DN 5 mm.

The main application is electronically controlled, battery driven sanitary fittings.

Thanks to the flow rate optimization, the DN 5.0 mm can meet all the sanitary taps' requirements.

While designing the valve, our efforts and attention were focused on the water hammer: the test results rate this valve at the top level.

The hydraulic and mechanical concept has been developed considering longterm performances, durability and battery life as priority targets.

All the materials are compliant with the main regulations in drinkingwater applications.



GENERAL FEATURES

Long life material

External filter AISI 316

Very compact design

Low power consumption

Servo controlled

100% tested with water and air

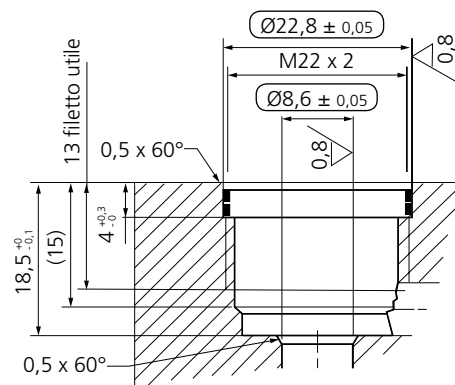
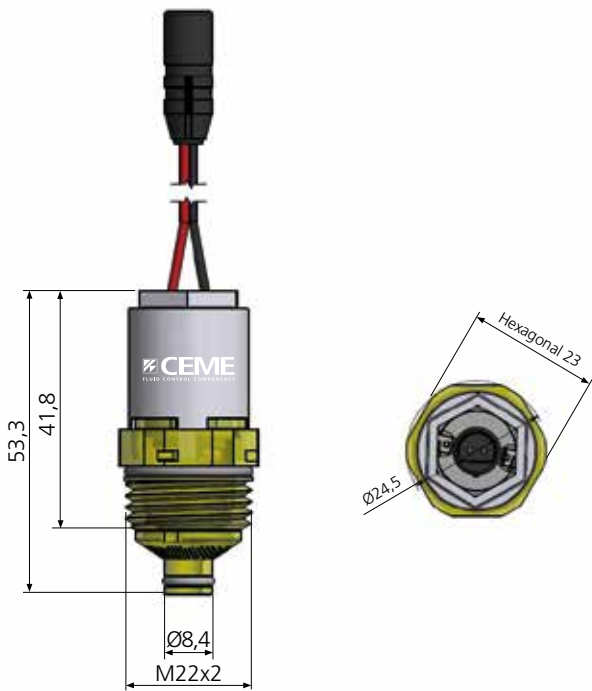
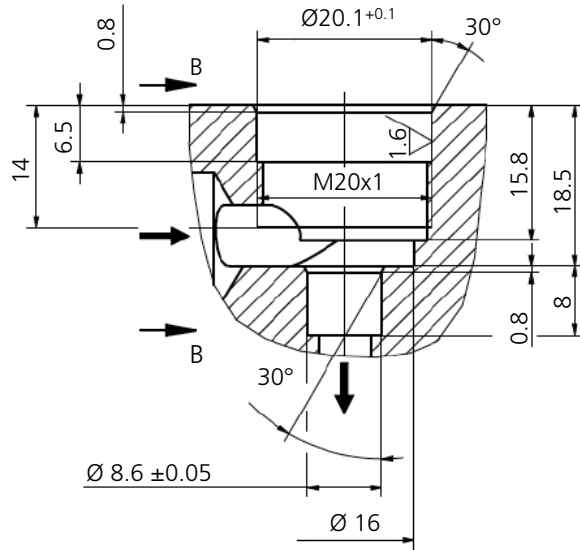
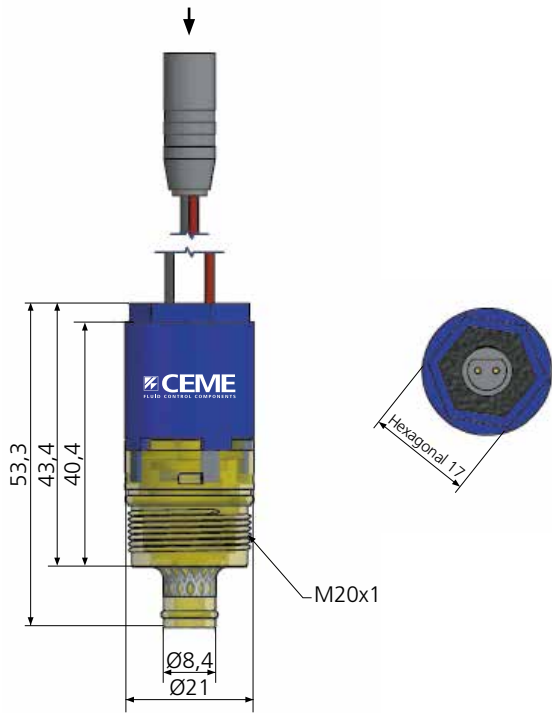
IP grade: IP65

Overall dimensions according with the drawing of the model

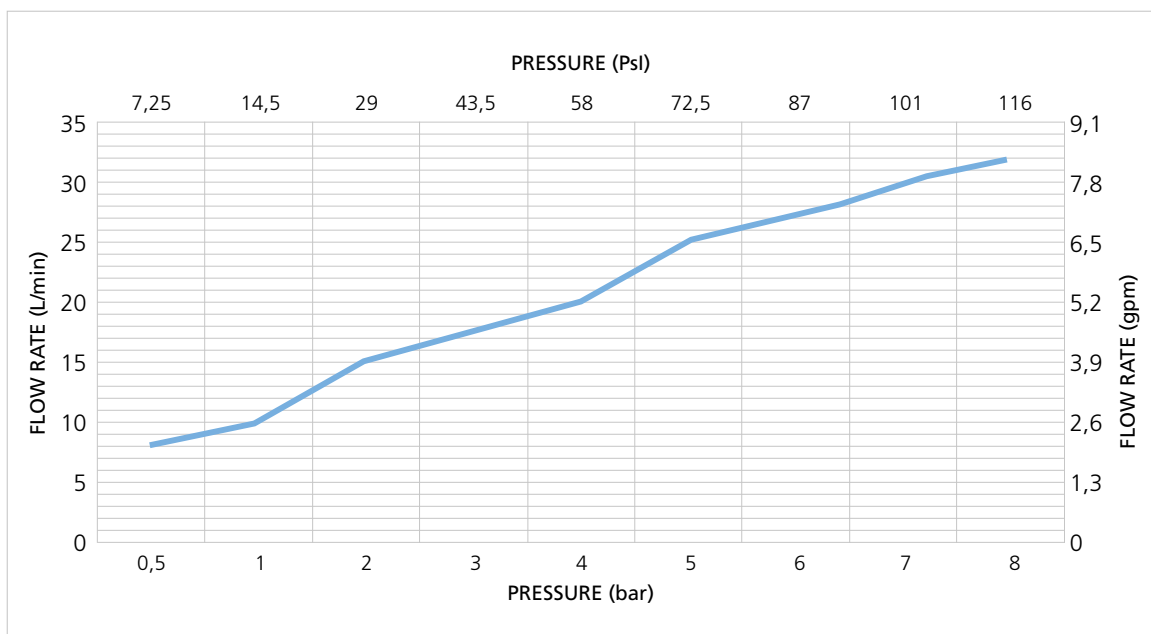
Suitable for chemical disinfection (Chloramine) as well as thermal disinfection

MATERIALS

Hydraulic body	PPSU
LSR Seals	all the seals are in Liquid Silicon Rubber
Other	Stainless steel (spring and plunger)
Material approvals	FDA, DM174, ACS, NSF, WRAS, DVGW





HYDRAULIC CHARACTERISTICS

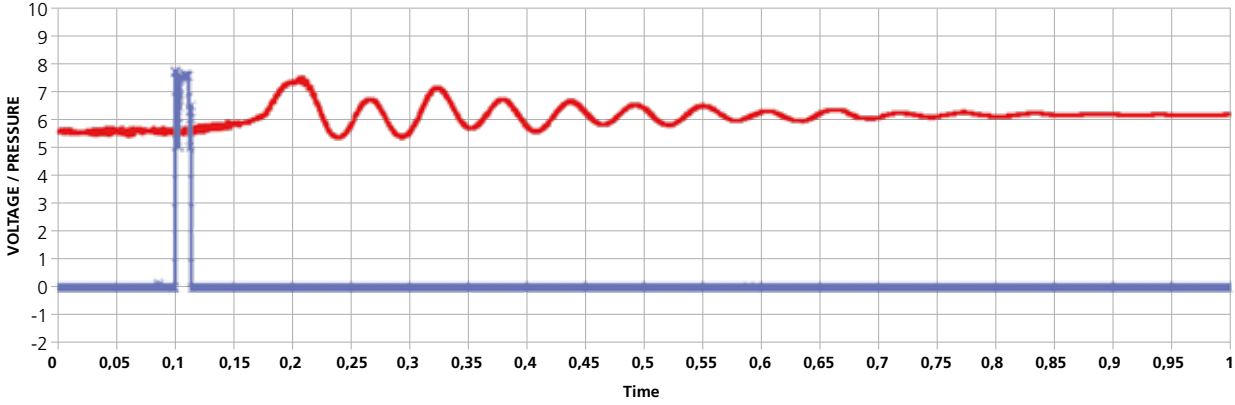


WORKING CHARACTERISTICS

Working pressure	0.5 ÷ 8.0 bar (7.25 ÷ 116 PSI)
Pressure burst	According to EN60730
Water Hammer	According to EN60730
Flow direction	Unidirectional
Valve position	Any position
Fluid	Tap water
Power Supply / Absorption / Pulse	6V 1W 170mA Latching solenoid (impulse 15ms minimum)
Heating class	H according with EN 60 335-1
Fluid Temp	5° ÷ 95°C (41° ÷ 203° F)
Ambient Temp	5° ÷ 95°C (41° ÷ 203° F)

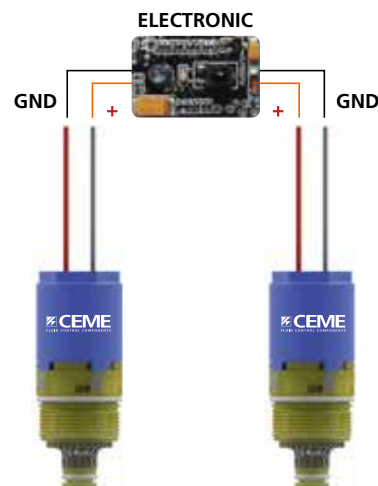
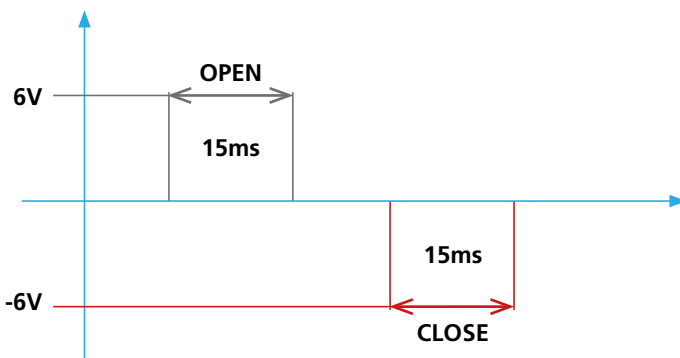
WATER HAMMER

Pulse (v) 
Pressure (bar) 



ELECTRICAL SPECIFICATIONS

Electrical Connections	cable (KCC connector upon request)
Nominal power	1W (6V)
Operating Voltage	6V (5Vmin) at 20° C
Max Voltage supply	8V
Nominal Current	170 mA (at 6V 25°C)
Pulse time	Close min 15ms / Open min 15ms



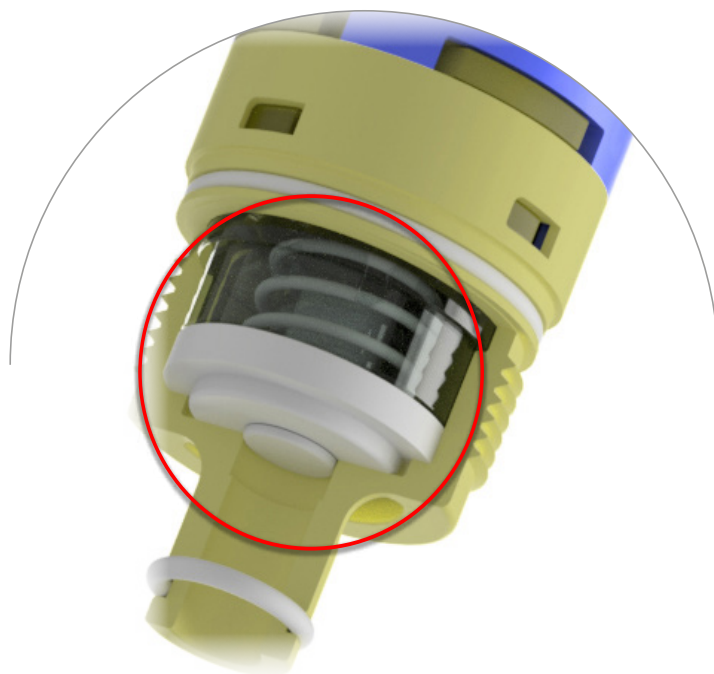
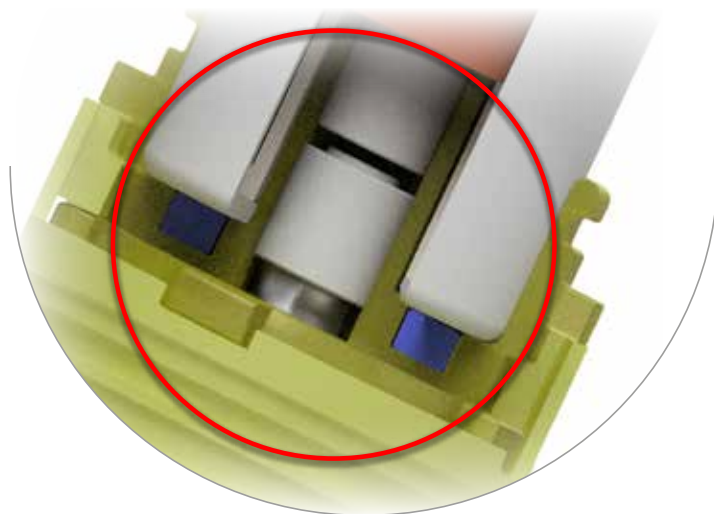
HIGHLIGHTS

The floating core system represents a unique and innovative solution in this range of valves.

Ceme R&D has concentrated his efforts to design the "springless floating system".

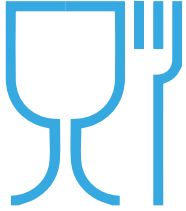
This solution offers several advantages:

- Reduction of power consumption
- Faster response
- No core sticking (a very common issue with standard sanitary valves)
- Removal of a critical component.
Commonly when the core spring is damaged, the valve can remain open, wasting water from the faucet.



The diaphragm of this valve is a concentrate of innovation, an ambitious project that today brings many improvements if compared to standard products:

- Labyrinth Calibrated System:
The water flows through a sophisticated system of micro channels, designed to minimize the water hammer and to allow a quick and progressive closing.
- Self-cleaning:
The diaphragm has holes for the water load.
This system prevents any type of blockage due to dirt. The regular up-and-down movement of the membrane causes also a stretch deformation of the holes, keeping the passage constantly clean. This simple and smart system does not need any needle to clean the holes, unlike many other standard valves in this market.



HIGHLIGHTS

Ceme has selected one single material for all the valve seals, LSR (Liquid Silicon Rubber), instead of other common elastomers, such as EPDM.

LSR can grant far better performances:

- Fully food grade approved. LSR is also in compliance with the incoming restrictions concerning rubbers, which will involve and forbid many of the common rubbers
- Fully compatible with chloramine even in high concentration
- Fully compatible with the most common chemical agents used for disinfection
- No ageing/degradation effects - LSR assures a very long life



The body of the valve and all the internal mechanical parts are made of PPSU, one of the top high resistance plastic materials (generally common valves are made of PA66 or POM).

Also in this case, Ceme has selected this high quality material to grant the best performances:

- The high mechanical resistance rates this valve at the top level for burst pressure
- Thermal disinfection: PPSU allows the fluid compatibility at 95°C (203°F) in compliance with the most severe disinfection cycle, while the plastic materials of the common valves mentioned above, allow a max fluid temperature of 65°C (150°F), or a higher temperature just for a limited time.
- Best compatibility with food grade approvals
- Best compatibility with chemical agents
- Longer life time resistance

CARTRIDGE SOLENOID VALVE

DN 7mm L300 series



HIGHLIGHTS

- 2/2 way direct acting
- 0,1 – 10 bar
- Tap water
- Compact design
- Water management

PRODUCT DESCRIPTION

The new CEME Solenoid Valve for water management market is a 2/2 way servo controlled valve with DN7 mm.

The main application is sanitary market, power supply 24 VDC.

Thanks to the flow rate optimization, the DN7.0 mm can meet all the sanitary market requirements.

While designing the valve, our efforts and attention were focused on the water hammer: the test results rate this valve at the top level. The hydraulic and mechanical concept has been developed considering long terms of performances and durability.

GENERAL FEATURES

Long life material

Internal filter

Low water hammer

Low power consumption

Servo controlled

100% tested with water and air

Overall dimensions according with the drawing of the model

Suitable for chemical disinfection (Chloramine)

MATERIALS

Hydraulic Tube	PA12 GF50%
EPDM or SIL Seals	All the seals are in EPDM or SIL
Spring	Stainless steel
Material approvals	CE

WORKING CHARACTERISTICS / CARATTERISTICHE DI LAVORO

Working pressure	0.1 ÷ 10bar (1,45-145 PSI)
Pressure burst	According to EN60730
Water Hammer	According to EN60730
Flow direction	Unidirectional
Valve position	Any position
Fluid	Tap water
Heating class	H according with EN 60 335-1
Fluid Temp	5° ÷ 65°C
Ambient Temp	5° ÷ 65°C

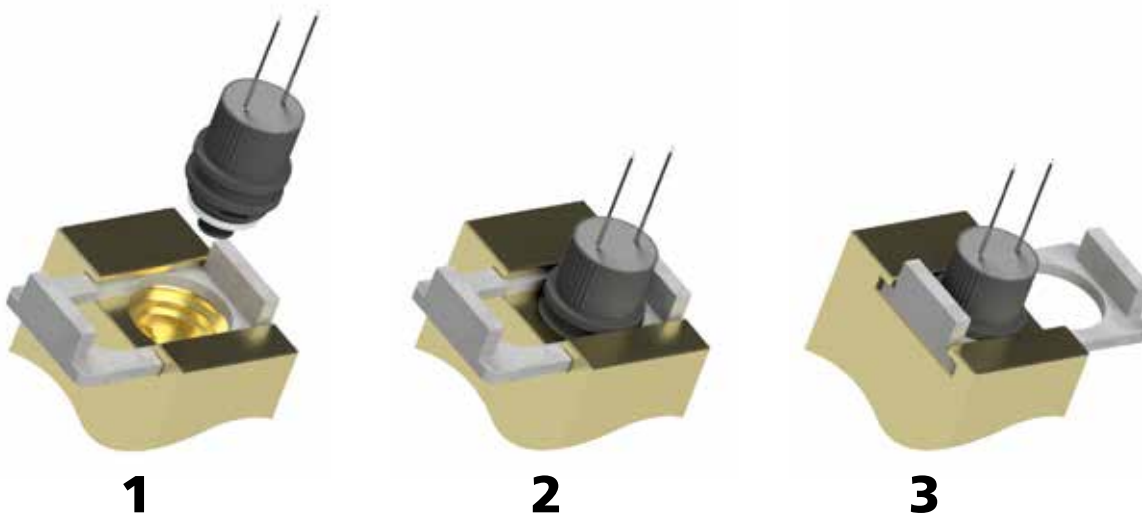
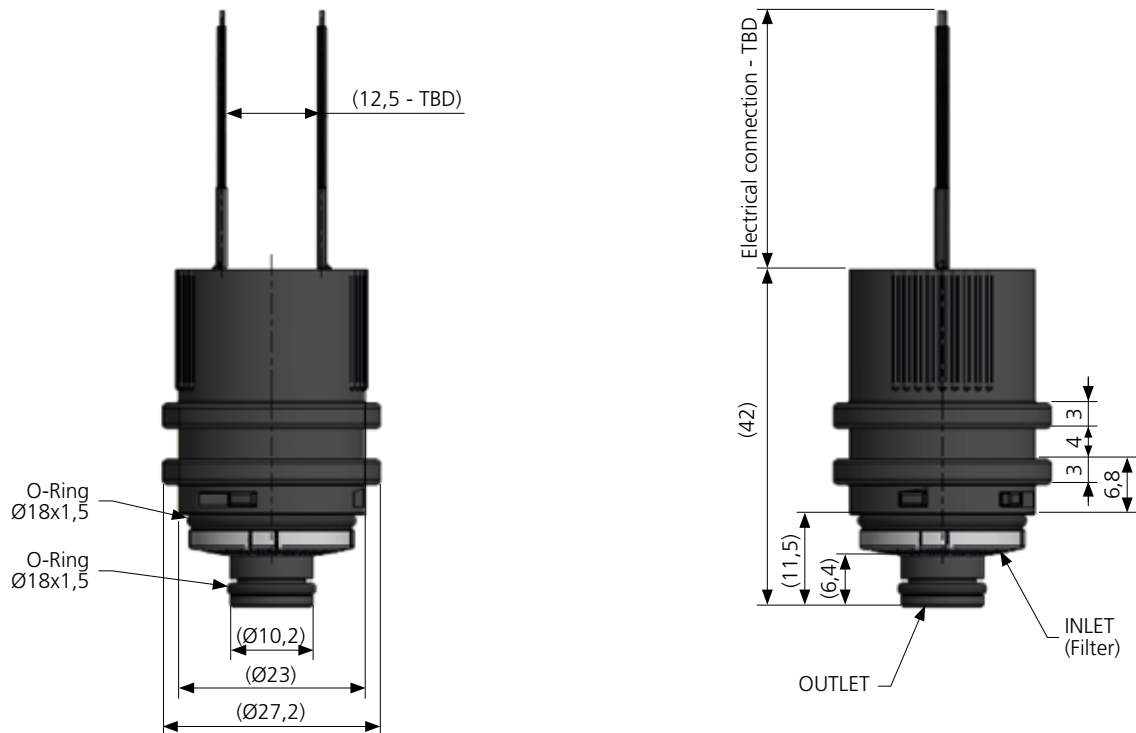


CARTRIDGE SOLENOID VALVE

DN 7mm L300 series

ELECTRICAL SPECIFICATIONS LATCHING

Electrical Connection	Cable
Nominal power	6W
Operating Voltage	24 Vdc
Max Voltage supply	28 Vdc
Nominal Current	266 mA
ED	100%



3 easy steps to install the valve and no tools require



NSF

HIGHLIGHT

- 2/2 way servo controlled
- 0.1 – 10 bar
- Compact design
- Hydraulic body valve in PA66 GF30%

PRODUCT DESCRIPTION

The new CEME Solenoid Valve for water management market is a 2/2 way servo controlled valve with DN11mm. The main application is sanitary market, different power supply available. Thanks to the flow rate optimization, the DN11mm can meet all the sanitary market requirements.

While designing the valve, our efforts and attention were focused on the water hammer: the test results rate this valve at the top level. The hydraulic and mechanical concept has been developed considering long terms of performances and durability.

GENERAL FEATURES

Long life material

External filter replaceable

Very compact design

Low power consumption

Servo controlled

100% tested with water and air

IP grade: IPX0

Overall dimensions according with the drawing of the model

Suitable for chemical disinfection (Chloramine) as well as thermal disinfection

MATERIALS

Hydraulic body	PA 66 FV 30%
EPDM or Sil Seal	All the seals are in EPDM or LSR
Spring	Stainless steel
Material approvals	KTW, ACS, NSF, WRAS

WORKING CHARACTERISTICS

Working pressure	0.1 ÷ 10 bar
Pressure burst	According to EN60730
Water Hammer	According to EN60730
Flow direction	Unidirectional
Valve position	Any position
Fluid	Tap water
Heating class	H according with EN 60 335-1
Fluid Temp	5° ÷ 65°C (41° ÷ 150° F)
Ambient Temp	5° ÷ 65°C (41° ÷ 150° F)

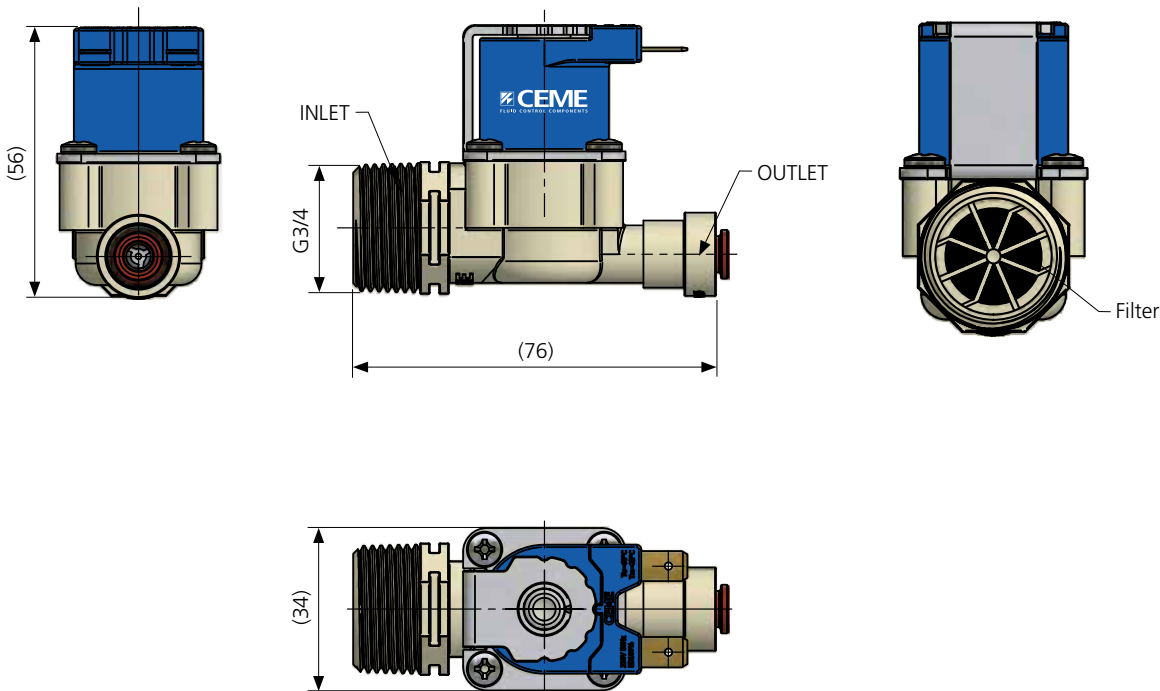


ELECTRICAL SPECIFICATIONS LATCHING

Electrical Connection	Faston 6.3x0.5							
Nominal power	4.2VA 8.2W	5.5W	6.5VA	8.2VA	7VA	6.5VA	7.5VA	2.25W
Operating Voltage	12Vac/dc	12Vdc	220/240V	230V	24Vac	24Vdc	110/120V	6V
ED	100%							Latching

SPECIFICATIONS

CONNECTION	ORIFICE Ø (mm)	KV m ³ /h	Pressure (bar)		Filter mesh
			Min	Max	
G 3/4 – JØ6mm	11	0.065	0.1	10	150
G 3/4 – JØ8mm	11	0.090	0.1	10	150
G 3/4 – JØ10mm	11	0.090	0.1	10	150
G 3/4 – JØ1¼"	11	0.090	0.1	10	150
G 1/2" – 1/2"	11	0.090	0.1	10	150
G 3/4" – 1/2"	11	0.090	0.1	10	150
G 3/4" – 3/4"	11	0.090	0.1	10	150
G 3/4" – 3/8"	11	0.090	0.1	10	150
G 3/8" – 3/8"	11	0.090	0.1	10	150



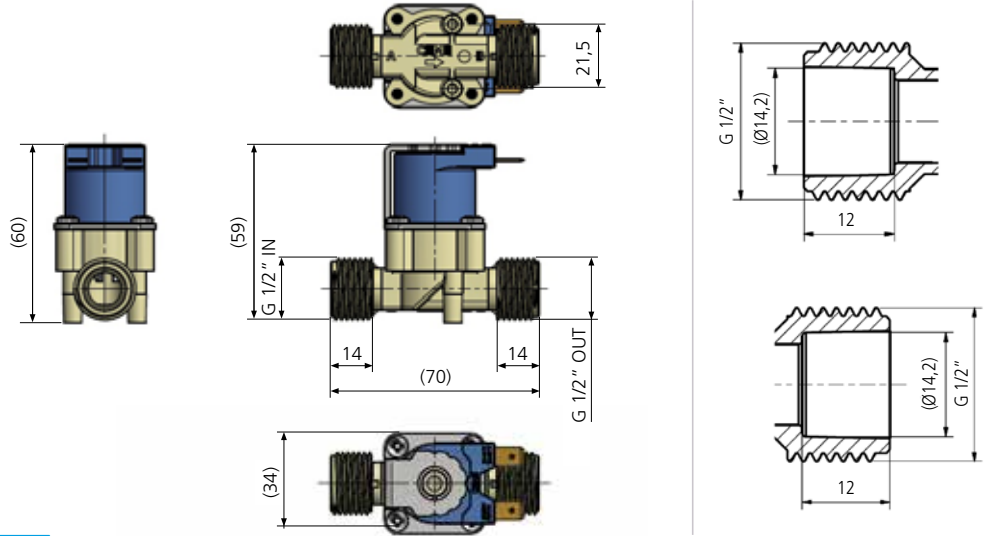
NEW



WATER SERIES SOLENOID VALVE

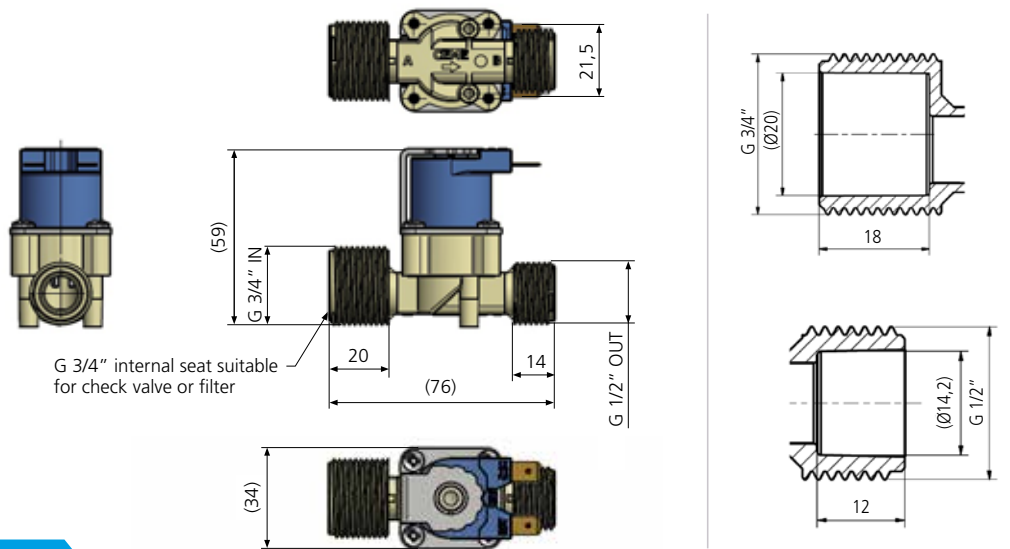
for DN 11 mm W00 SERIES

SERIES WBB - 1/2" M - 1/2" M

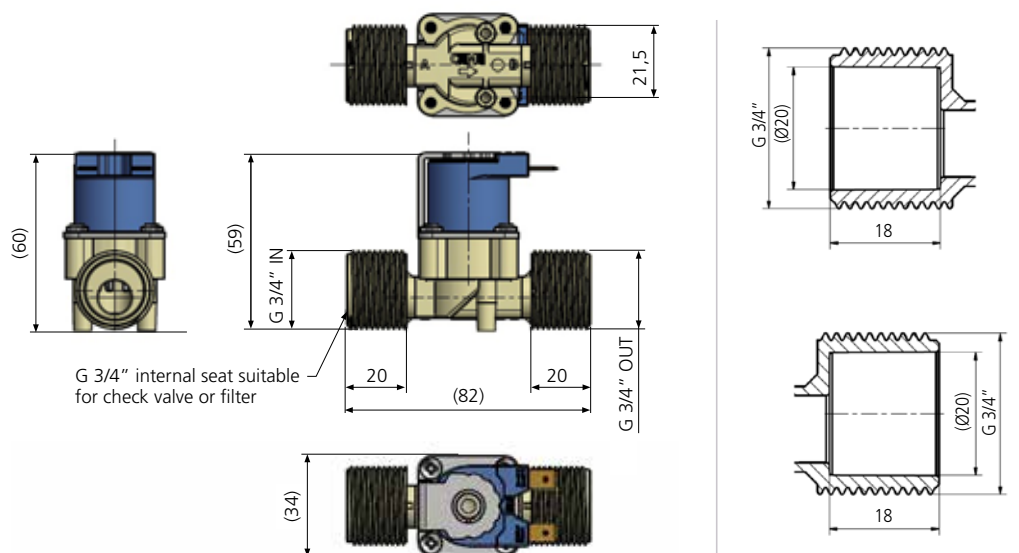


SERIES WAB - 3/4" M - 1/2" M

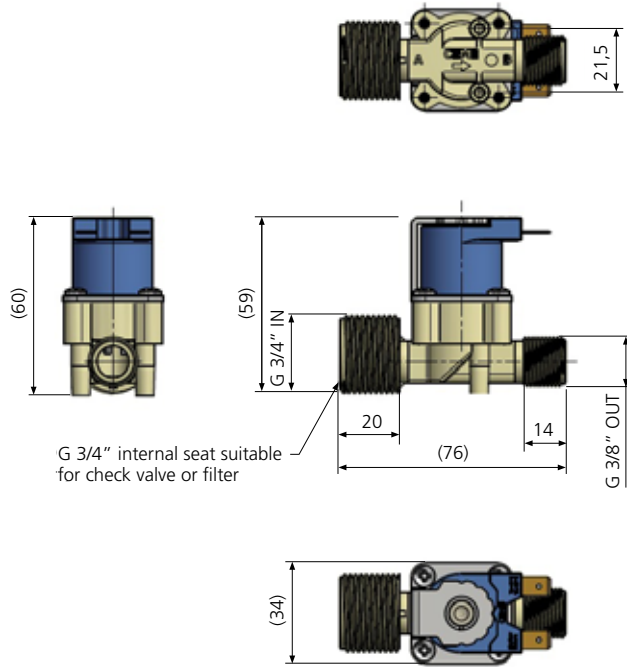
15



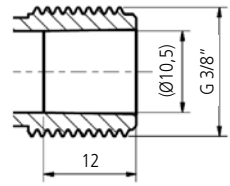
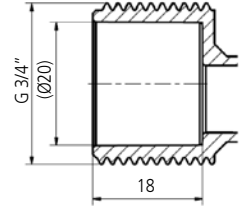
SERIES WAA - 3/4" M - 3/4" M



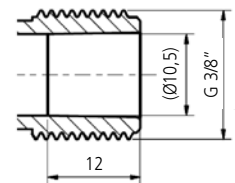
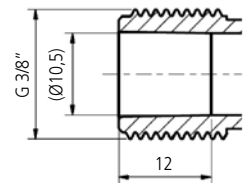
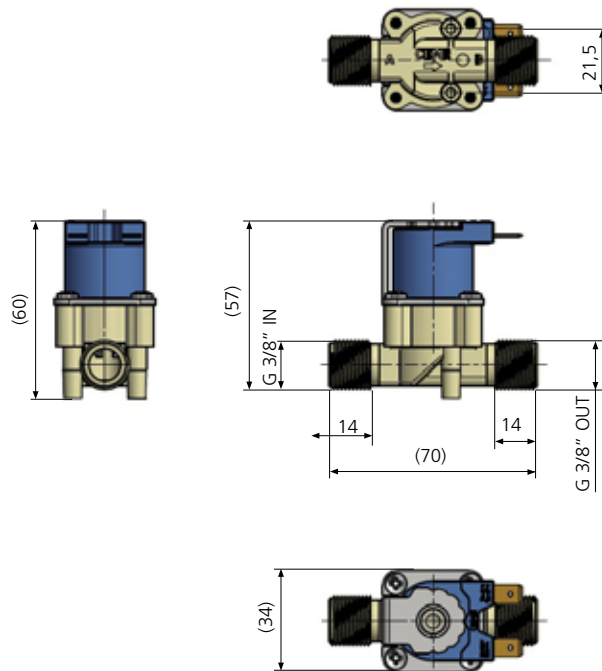
SERIES WAC - 3/4" M - 3/8" M



G 3/4" internal seat suitable for check valve or filter



SERIES WCC - 3/8" M - 3/8" M

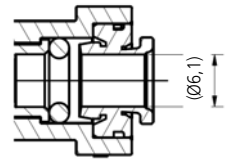
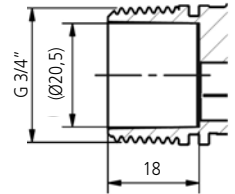
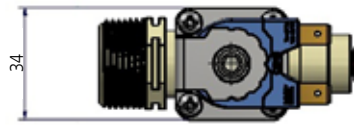
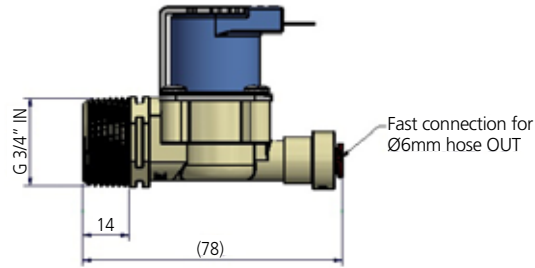
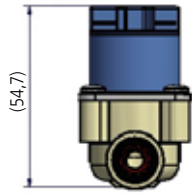


NEW

WATER SERIES SOLENOID VALVE

for DN 11 mm W00 SERIES

SERIES W22 - 3/4" M / PFØ6mm

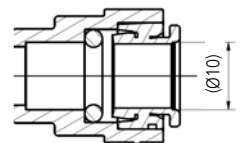
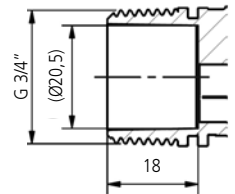
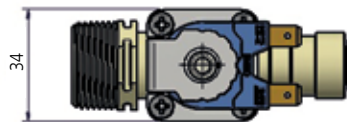
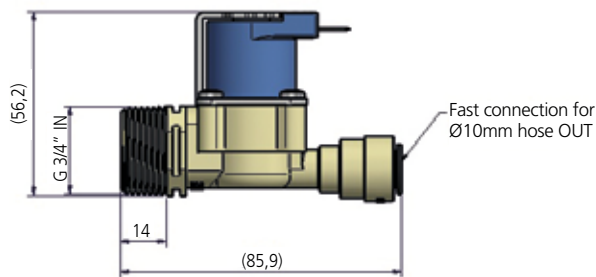
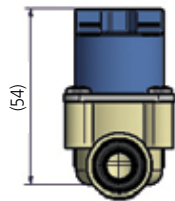


17

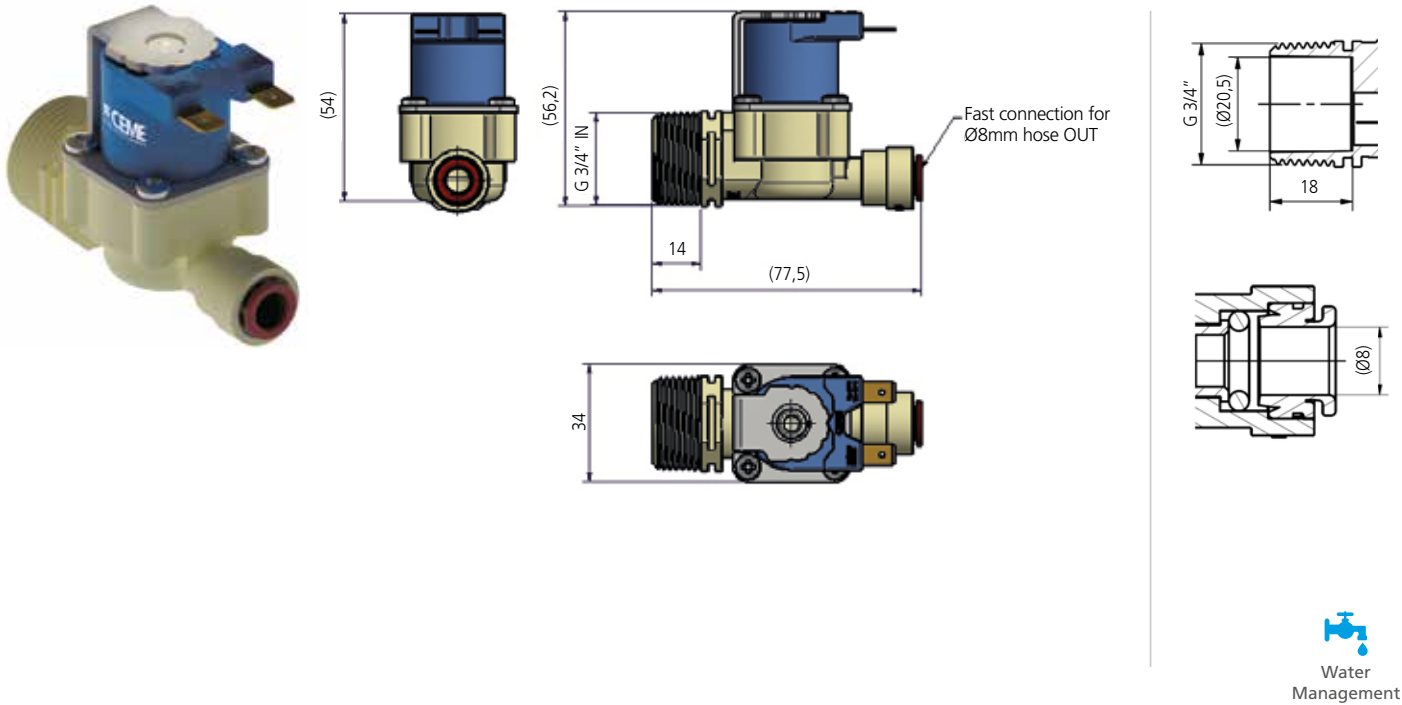


Water
Management

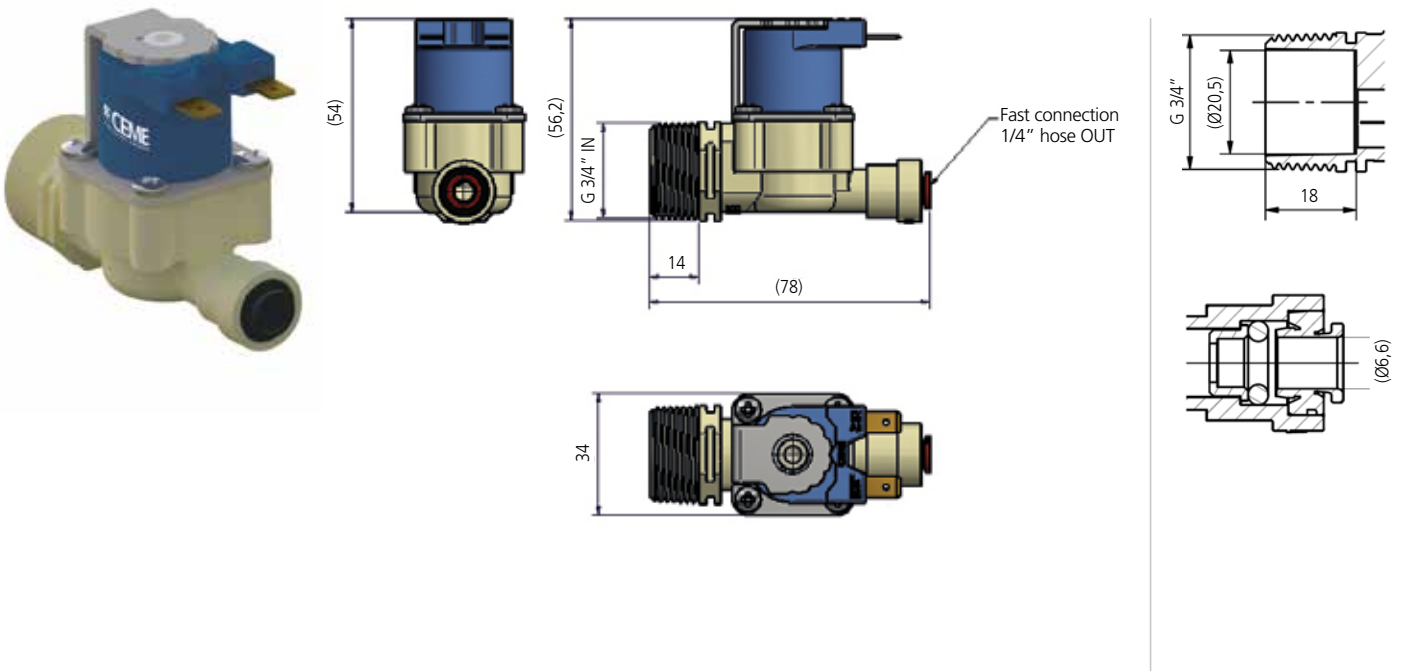
SERIES W23 - 3/4" M / PFØ10mm



SERIES W24 - 3/4" M / PFØ8mm



SERIES W27 - 3/4" M / PFØ1/4"



CEME SPA

HQ - Uffici e Stabilimento
Viale dell'Industria, 5
27020 Trivulzio (PV)

CEME CHINA

Industrial Road, nr.38
528415 Xiaolan Town, Zhongshan City,
Guangdong Province, P.R. China

CEME USA

38227 Western Parkway
Willoughby OH 44094
USA

CEME HONG KONG

Suite 915B, 9F Ocean Centre,
Harbour City,
KOWLOON HONG KONG

Tel. +39 0382 18 051
Fax +39 0382 18 058 01
info@cemegroup.com
www.cemegroup.com

Ph. +86 760 22288986
Fax +86 760 2288987

Ph. +1 440 2263200

